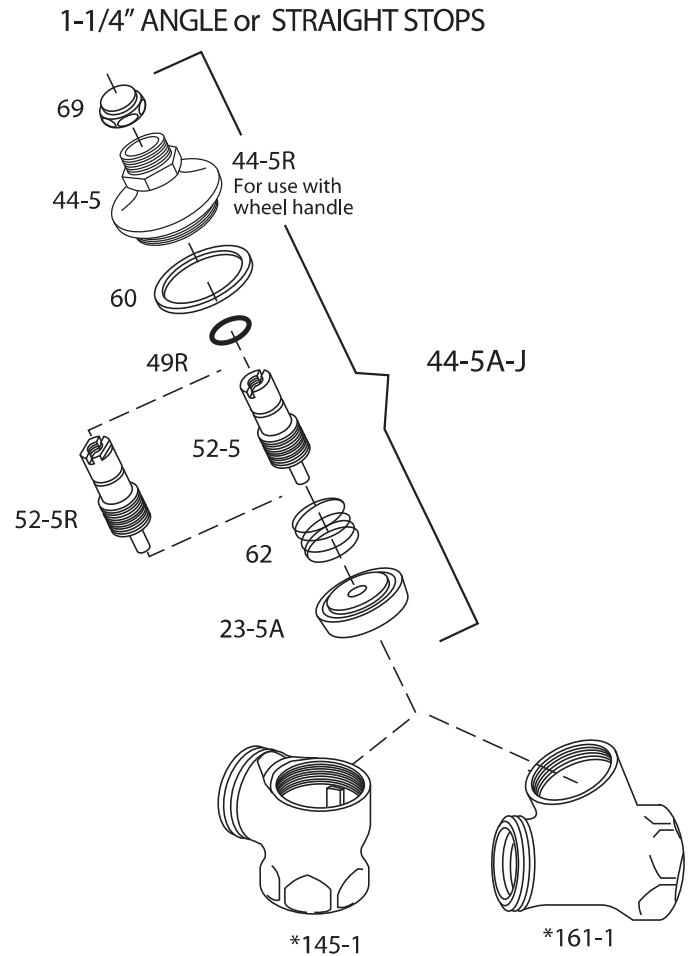
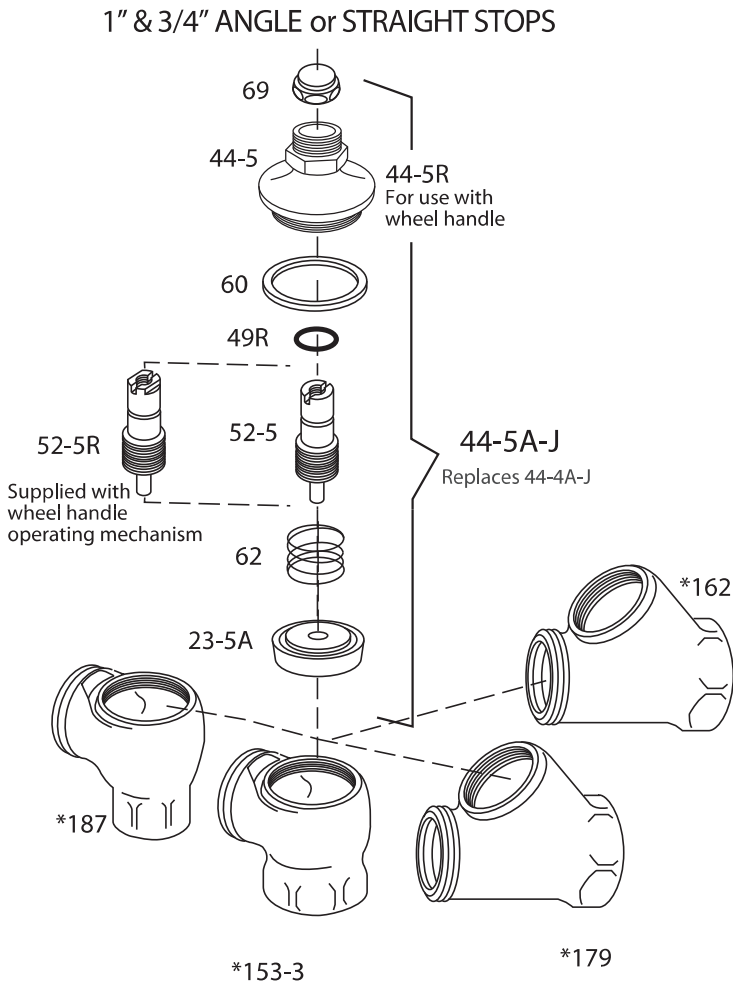


# Delany Products: Ground Joint Controls Stops for Flushboy, Presto and Rex Valves



## \*TO SPECIFY COMPLETE STOPS

Add suffix "A" to appropriate body number.  
Then add appropriate letter for required  
operating mechanism.

Example:

153-3 1" Angle Control Stop  
Ground Joint Connection  
- Body Only

153-3A-J 1" Angle Stop Complete,  
Ground Joint Connection  
screwdriver operated w/  
Vandal Resistant Cap

Variation letters for other types of operating  
mechanisms are shown in the Operating  
Mechanism Variations chart.

