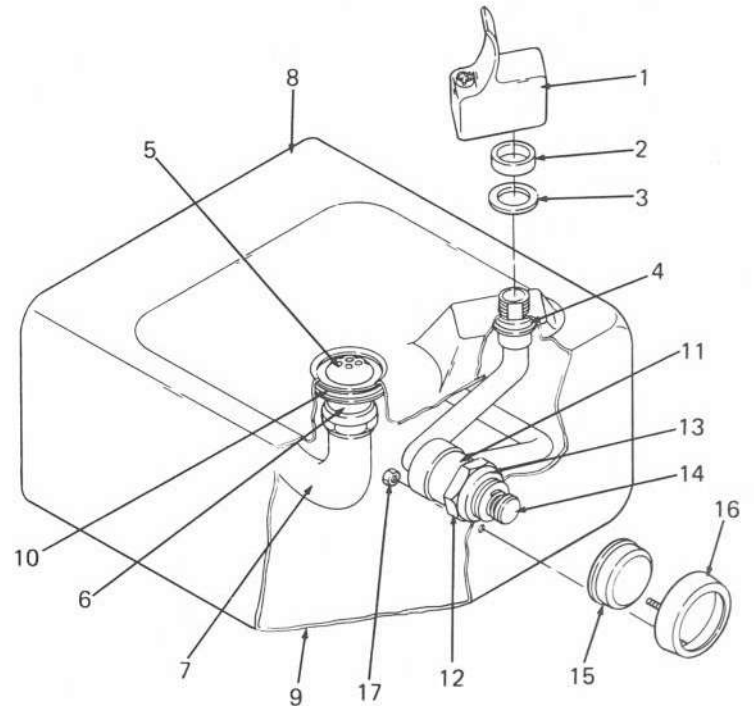


ILLUSTRATED PARTS BREAKDOWN



ON-A-WALL DRINKING FOUNTAIN MODELS:

F110PM, FLF110PM, FLF110PM-001
F140PM, FLF140PM, FLF140PM-001



PARTS LIST

ITEM NO.	DESCRIPTION	F110PM	F140PM
		FLF110PM FLF110PM-001	FLF140PM FLF140PM-001
1	12000A Bubbler Valve, NR CF	030774-025	030774-025
2	Valve Body Gasket	028706-006	028706-006
3	Friction Washer	028706-013	028706-013
4	Lower Washer	028706-001	028706-001
5	Strainer Assembly	024269-001	024269-001
6	Waste Tailpiece	024268	027543-001
7	Waste Trap Assembly	---	027542-001
8	Top Assembly	028833-005	028832-005
9	Support Plate	024337-001	024248
10	Gasket	028706-009	028706-009
11	Inlet Tube & Cartridge Holder	029915-001	029915-002
12	Hex Nut Cartridge Holder	029968-001	029968-001
13	Cartridge Holder Nut-Ring	029969-001	029969-001
14	Cartridge	029967-005	029967-005
15	Push Button - Stainless	024817	024817
16	Bezel -Stainless	030322-001	030322-001
17	Hex Nut (3 Req'd)	020203	020203
NOT SHOWN			
	Strainer, In-Line	033264-003	033264-003