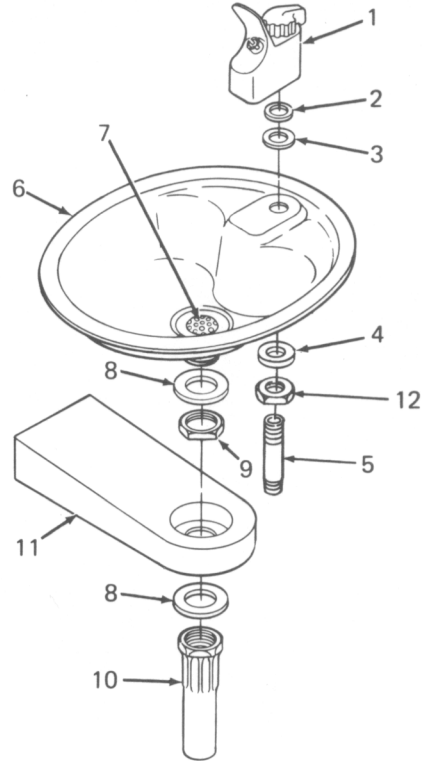


ILLUSTRATED PARTS BREAKDOWN



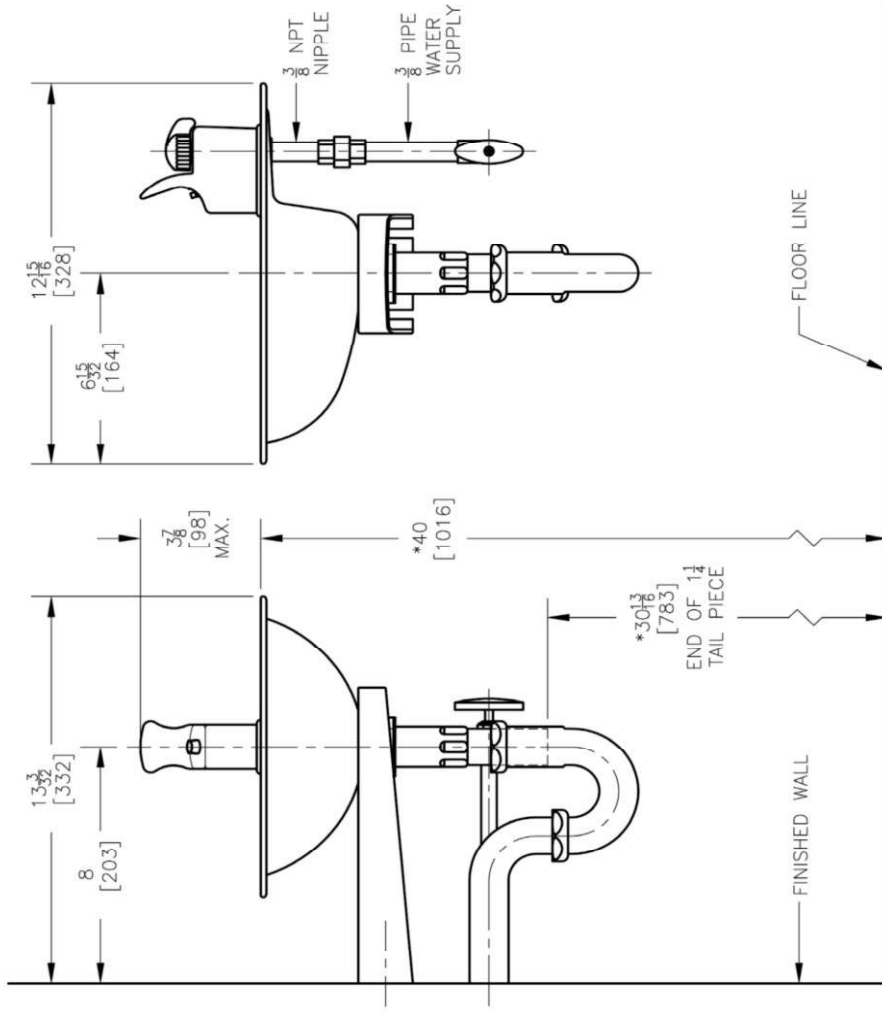
BRACKET MOUNTED DRINKING FOUNTAIN MODELS: F120 DF-120-001 FLF120 FLF120-001



PARTS LIST

ITEM NO.	DESCRIPTION	
1	12000A Valve	030774-006
2	Valve Body Gasket	028706-006
3	Friction Gasket	028706-013
4	Gasket	028706-001
5	Nipple	029582-001
6	Pedestal Basin	029579-001
7	Strainer Assembly	024207
8	Strainer Gasket (2 Required)	028706-009
9	Strainer Nut	024459
10	Waste Tail Piece	019915
11	Basin Bracket - Painted	024950
12	Lock Nut	023347

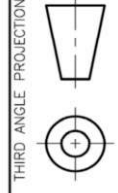
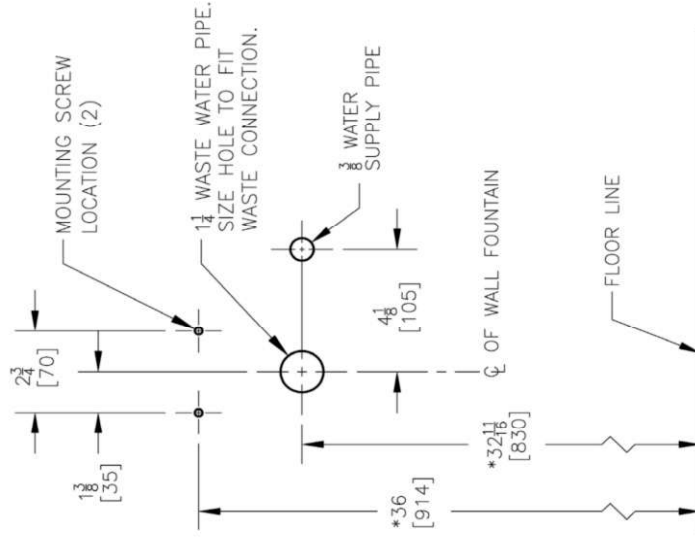
DIMENSIONAL DRAWING



NOTES:

1. TRAP, FIXTURE STOP VALVE, 3/8 WATER SUPPLY PIPES, AND UNION NOT FURNISHED WITH DRINKING FOUNTAIN.
- *2. RECOMMENDED ADULT HEIGHT INSTALLATION SHOWN. ADJUST VERTICAL DIMENSIONS AS REQUIRED TO COMPLY WITH FEDERAL, STATE AND LOCAL CODES.
3. ALL DIMENSIONS ARE IN INCHES. DIMENSIONS IN BRACKETS [] ARE IN MILLIMETERS.
4. THE FOLLOWING STATES REQUIRE A LICENSED PLUMBER TO INSTALL FOUNTAIN; AR, GA, MA, MI, OK, RI, SC, SD, TX, VT AND WI. CA, KS, MN, NM, AND OR ALLOW FOR A STATE REGISTERED INSTALLER OR CONTRACTOR AS WELL. STATE AND LOCAL PLUMBING CODES MAY PROHIBIT THE USE OF SADDLE TAPPING VALVES FOR WATER LINE CONNECTION IN SOME APPLICATIONS. ALL CONNECTIONS MUST CONFORM TO APPLICABLE PLUMBING CODES.

ROUGHING-IN DRAWING



ROUGHING-IN
AND
DIMENSIONAL DRAWING